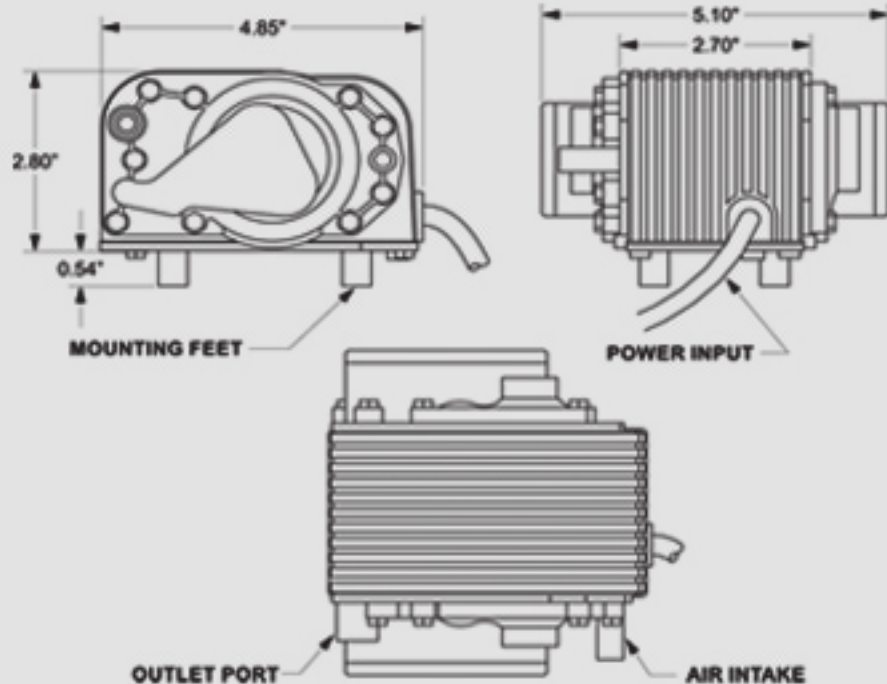


Pressure Air Pump 7080



Material of Construction:

Pump Body: aluminum
Diaphragms: rubber
Valves: silicone
Fasteners: steel
Motor: fixed coil, oscillating connecting rod, 60hz natural frequency
Electrical Connections: 18" insulated wire pair
Electrical Specifications:
voltage: 115vac, 60hz
current: 0.40 amps max.
power: 30.0 watts @ open flow,
24.0 watts @ 2.0 psi
Noise Level: 67db unconnected,
connected operation will reduce db level.

Pump Design: double diaphragm, single outlet, oscillating linear motion

Net Weight: 3.3 lbs.

Pumped Media's: air and gases compatible with materials of construction

Ports: outlet: is female, accepts 1/8 npt fitting.

inlet: accepts 5/16" ID tubing (pressed on)

Mounting: rubber mounting feet with threaded inserts.

accepts four #8 screws in 2.8"x1.75" rectangular pattern.

Operating temperature: 30 to 105 degrees F, (-1 to 41 degrees c)



Pressure PSI:

0

0.5

1.0

2.0

3.0

5.5

Flow SCFH:

95.0

80.0

42.0

23.0

15.0

0.0