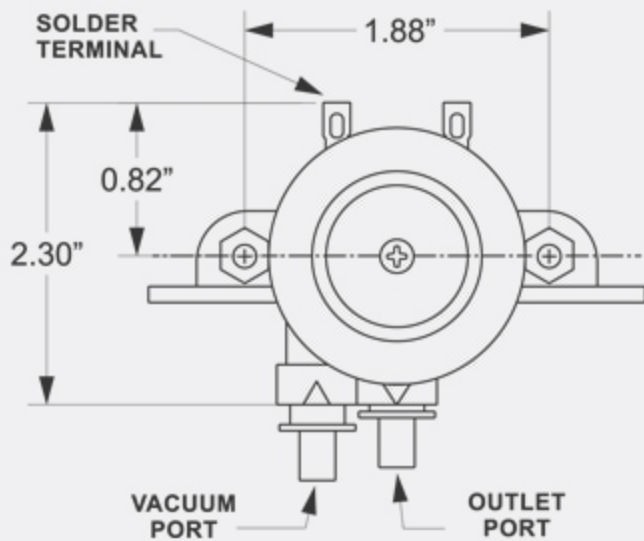
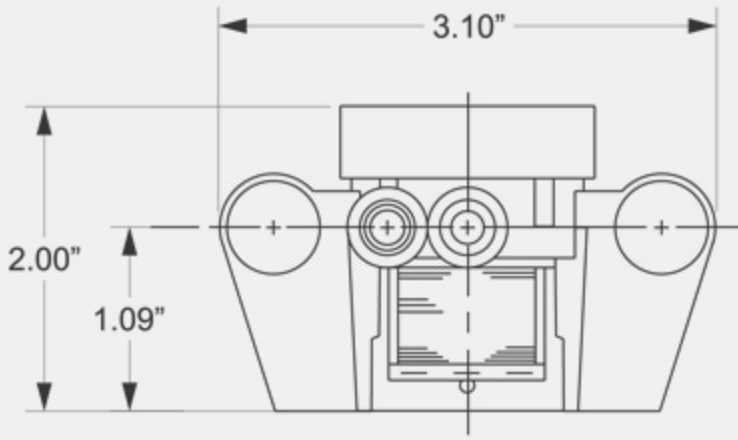




Apollo Enterprises
 3007 Bunsen Avenue,
 Ventura CA 93003
 805-644-1504 or 800-873-1399
 Information@ApolloPumps.com

Vacuum Air Pump 3000



Material of Construction:

Pump Body: Acetal

Diaphragms: Thermo-Plastic Elastomer (Std), Natural Rubber (Optional)

Valves: Silicone

Fasteners: Plated Steel

Enclosures: Styrene

Enclosure Dimensions: 4.25"L x 3.50"W x 2.80"H

Motor: Fixed Coil, Oscillating Magnet 60Hz Natural Frequency

Electrical Connections: .170" W Solder Terminals

Electrical Specifications: 3 Watts Power, +/- 10%,
 Current Ratings Below:

Product Specifications:

Pump Design: Single Diaphragm, Duckbill Valves

Net Weight: 5 oz (without enclosure)

Pumped Media's: Air & Gases Compatible with
 Materials of Construction

Ports-

Outlet: .20" OD x .30" L Smooth Straight Nipple,
 Elbow Optional

Inlet: Smooth Straight Nipple, Elbow Optional

Operating Temperature: 30° - 105° Fahrenheit

Current Values Typical. DC Voltages Require Inverter Circuitry

Voltage	6VDC	9VDC	12VDC	24VDC	12VAC	24VAC	115VAC	220VAC
Current AMPS	.070	0.41	.035	0.18	0.37	0.18	.037	.018

* Requires Solid Mount

Vacuum - in H ² o	0	5	10	15	20	30	10	60*
Flow - SCFH	7.0	4.4	3.8	3.5	3.2	2.5	1.3	0
Flow - LTR/MIN	3.3	2.1	1.8	1.6	1.5	1.2	0.6	0

