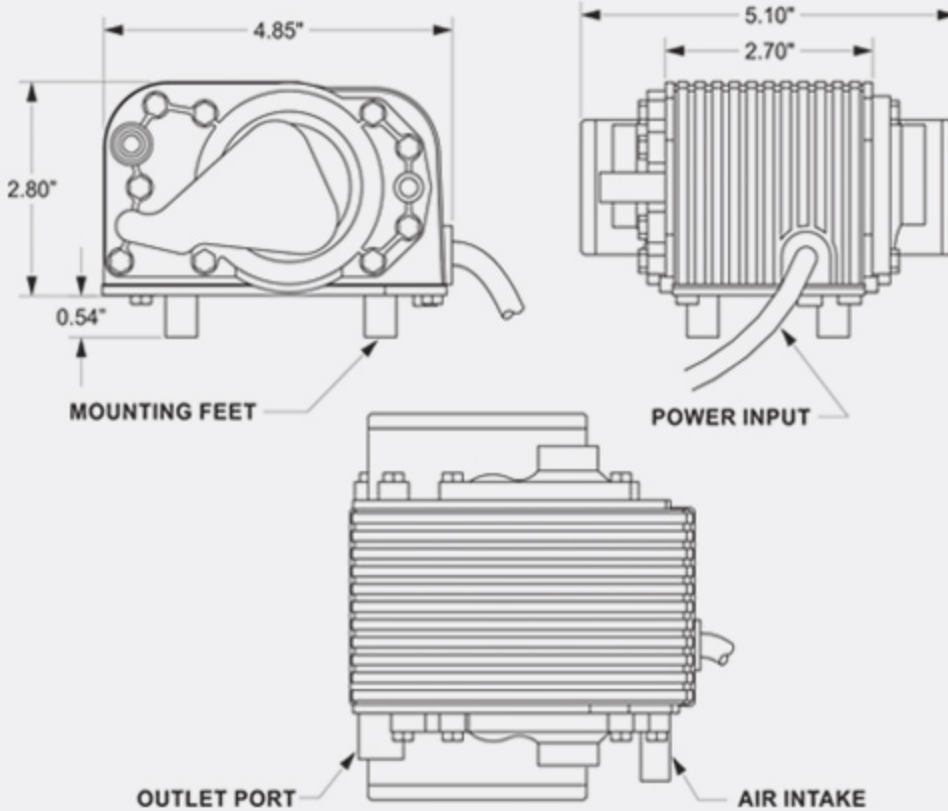




Apollo Enterprises
 3007 Bunsen Avenue,
 Ventura CA 93003
 805-644-1504 or 800-873-1399
 Information@ApolloPumps.com

Pressure Air Pump 7000



Material of Construction:

Pump Body: Aluminum
 Diaphragms: Nitrile
 Valves: Silicone
 Fasteners: Steel
 Motor: Fixed coil, oscillating connecting rod, 60hz natural frequency
 Electrical Connections: 18" insulated wire pair

Electrical Specifications:

Voltage: 115vac, 60hz
 Current: 0.40 amps max.
 Power: 30.0 watts @ open flow,
 24.0 watts @ 2.0 psi

Noise Level: 67db unconnected,
 connected operation will reduce db level.

Pump Design: Double diaphragm, single outlet, oscillating linear motion

Net Weight: 3.3 lbs.

Pumped Media's: Air and gases compatible with materials of construction

Ports: Outlet- is female, accepts 1/8 npt fitting.

Inlet- accepts 5/16" ID tubing (pressed on)

Mounting: Rubber mounting feet with threaded inserts.

Accepts four #8 screws in 2.8"x1.75" rectangular pattern.

Operating temperature: 30 to 105 degrees F, (-1 to 41 degrees c)



Pressure PSI:

0 0.5 1.0 2.0 3.0 5.5

Flow SCFH:

95.0 80.0 42.0 23.0 15.0 0.0