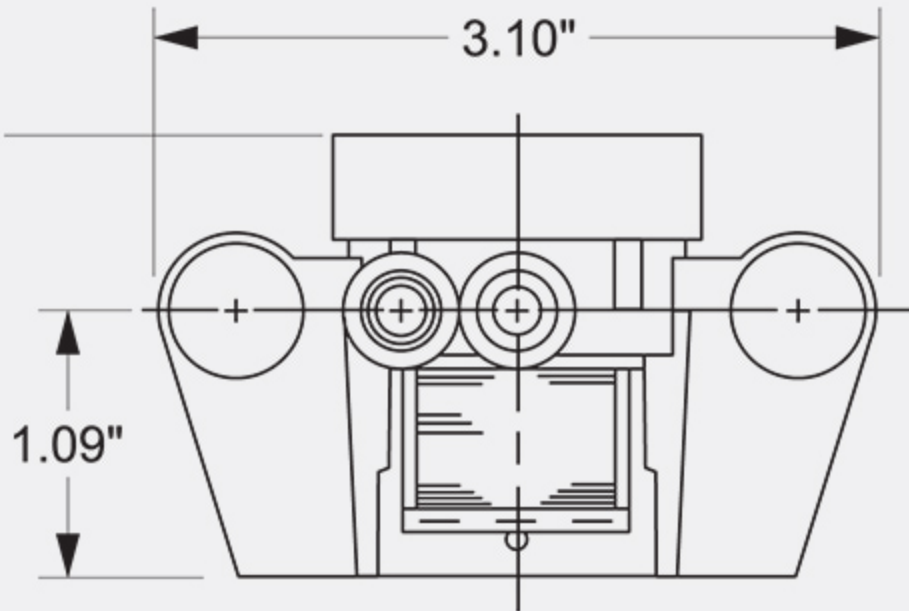




Apollo Enterprises
 3007 Bunsen Avenue,
 Ventura CA 93003
 805-644-1504 or 800-873-1399
 Information@ApolloPumps.com

Pressure Air Pump 3000



Material of Construction:

Pump Body: Acetal
 Diaphragms: Thermo-Plastic Elastomer (Std), Natural Rubber (Optional)
 Valves: Silicone
 Fasteners: Plated Steel
 Enclosures: Styrene (Std), ABS (Optional)
 Enclosure Dimensions: 4.25"L x 3.50"W x 2.80"H

Motor: Fixed Coil, Oscillating Magnet
 60Hz Natural Frequency

Electrical Connections: .170" W Solder Terminals
 Electrical Specifications: 3 Watts Power, +/- 10%, Current Ratings Below:

Product Specifications:

Pump Design: Single Diaphragm, Duckbill Valves

Net Weight: 5 oz (without enclosure)

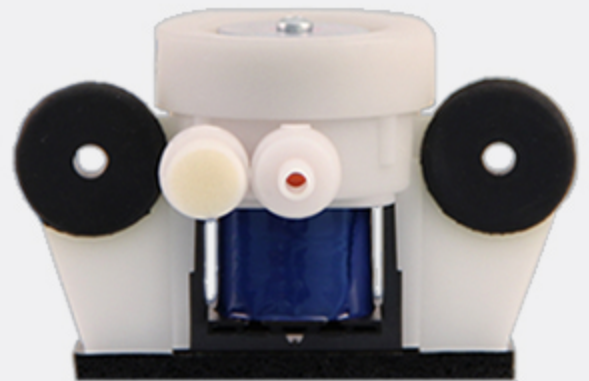
Pumped Medias: Air & Gases Compatible with construction materials

Ports-

Outlet: .20" OD x .30" L Smooth Straight Nipple, Elbow Optional

Inlet: 5 Micron Filter, Nipples Optional

Operating Temperature: 30° - 105° Fahrenheit



Voltage	6VDC	9VDC	12VDC	24VDC	12VAC	24VAC	115VAC	220VAC
Current AMPS	.070	0.41	.035	0.18	0.37	0.18	.037	.018

Pressure - PSI	0	.25	.5	.75	1.0	1.45	2.0	3.0 *
Flow - SCFH	6.0	3.3	2.5	1.5	1.0	.70*	.20*	0
Flow - LTR/MIN	2.8	1.6	1.2	0.7	.5	.3	.1	0